

产品描述：KLNE1-S 系列

Product Description: KLNE1-S Series

目录

Index

1. 更改履历 Change History
2. 范围 Scope
3. 产品命名规则及描述 Product Naming Rules and Description
4. 相关标准 Related Standards
5. 参数范围 Parameter Ratings
6. 产品性能 Performance
7. 产品标识及包装规范 Identification and packaging

1. 更改履历 Change History

| 序号 No. | 版本号 Version No. | 更改前描述 Description Before Modification | 更改后描述 Description After modification | 更改人/日期 Reviser/Date |
|-----------|--------------------|--|---|------------------------|
| 1 | V1.2 | 产品性能、电气性能要求修改,型号修改 | | 倪荣伟 25/7/9 |
| 2 | V1.3 | 绝缘电压试验内容修改 | | 丁全义 25/11/19 |
| 3 | | | | |
| 4 | | | | |
| 5 | | | | |

2. 适用范围 Scope

本产品规格书适用于浙江瑞辉电气有限公司生产的 PCB 连接器，产品系列名称：KLNE01-S 系列。

This product specification covers the requirement for PCB connector, which are designed and manufactured by ZHEJIANG REWIN ELECTRIC CO.,LTD. P/N: KLNE1-S.

3. 产品命名规则及描述 Product Naming Rules and Description

KLNE 系列产品为 PCB 连接器，产品命名规则及部件描述如下：

The KLNE series connector designed for PCB connector. Naming rules and part description as following form:

产品命名规则 Products Naming Rules

| 示例 Example: | 系列名称 KLN | 应用 E | 编号 1 | 类别 P | 间距 5.0 | 方向 V | 极数 1 | 颜色 GY |
|-----------------------------|--|---------|---------|---------|-----------|---------|---------|----------|
| 系列名称 Series name: | KLN | | | | | | | |
| 应用 Application: | R=轨装式接线端子 Rail-Mount Terminal Blocks C=建筑布线用端子 Installation Terminal Blocks and Connectors E=PCB接线端子 PCB Terminal Blocks | | | | | | | |
| 编号 No.: | 1 | | | | | | | |
| 类别 Sort: | P=插拔式插头 Plug RP=插拔式反向插头 Reverse Plug S=插拔式插座 Socket F=固定式插座 Fixed Socket PL=插头带锁扣 Plug with Lock A=配件 Accessory | | | | | | | |
| 间距 Pitch: | 5.0=5.0 间距 Pitch | | | | | | | |
| 方向 Direction: | H=0度卧式 0°Horizontal V=90度立式 90°Vertical W=180度卧式 180°Horizontal U=通用式 Unicersal L=左侧 Left M=中间 Mid R=右侧 Right | | | | | | | |
| 极数 Pin: | 1=1 Pin | | | | | | | |
| 颜色 Color: | BK=黑色 Black GY=灰色 Gray OL=本色 Original RD=红色 Red WH=白色 White TT=透明 Transparent YE=黄色 Yellow BU=蓝色 Blue OG=橙黄 Orange GN=绿色 Green OT=其他 Other | | | | | | | |

塑料件命名规则
Plastic Parts Naming Rules

| 示例 | 系列名称 | 应用 | 编号 | 类别 | 间距 | 方向 | 部件 | 材料编号 | 颜色 | 防火等级 |
|--|--|----|----|----|-----|----|----|------|----|------|
| Example: KLNE1-P-5.0-V_HO-1-GY-V0 | KLN | E | 1 | P | 5.0 | V | HO | 1 | GY | V0 |
| 系列名称 Series name: | KLN | | | | | | | | | |
| 应用 Application: | R=轨装式接线端子 Rail-Mount Terminal Blocks C=建筑布线用端子 Installation Terminal Blocks and Connectors E=PCB接线端子 PCB Terminal Blocks | | | | | | | | | |
| 编号 No.: | 1 | | | | | | | | | |
| 类别 Sort : | P=插拔式插头 Plug RP=插拔式反向插头 Reverse Plug S=插拔式插座 Socket F=固定式插座 Fixed Socket PL=插头带锁扣 Plug with Lock A=配件 Accessory | | | | | | | | | |
| 间距 Pitch: | 5.0=5.0 间距 Pitch | | | | | | | | | |
| 方向 Direction: | H=0度卧式 0°Horizontal V=90度立式 180°Vertical W=180度卧式 180°Horizontal U=通用式 Unicersal L=左侧 Left M=中间 Mid R=右侧 Right | | | | | | | | | |
| 部件 Parts: | HO=外壳 Housing CO=盖子 Cover LE=操作杆 Lever LR=锁扣杆 Lock Rod FL=法兰 Flange CL=卡扣 Clip | | | | | | | | | |
| 材料编号 Material No.: | 1=PA66 2=PA66+GR 3=PBT 4=PBT+GR 5=PC 6=POM | | | | | | | | | |
| 颜色 Color: | BK=黑色 Black GY=灰色 Gray OL=本色 Original RD=红色 Red WH=白色 White TT=透明 Transparent YE=黄色 Yellow BU=蓝色 Blue OG=橙黄 Orange GN=绿色 Green OT=其他 Other | | | | | | | | | |
| 防火等级 Flammability: | HB=UL94HB V0=UL94V-0 V1=UL94V-1 V2=UL94V-2 | | | | | | | | | |

金属件命名规则 Metal Parts Naming Rules

| 示例 Example: | KLN-SP-01-S-13-P | 系列名称 KLN | - | 类别 SP | - | 编号 01 | - | 材质 S | - | 处理工艺 13 | - | 送料方式 P |
|-----------------------------|---|-------------|---|----------|---|----------|---|---------|---|------------|---|-----------|
| 系列名称 Series name: | KLN | | | | | | | | | | | |
| 类别 Sort: | SP=弹簧 Spring CM=接触件 Contact Material NU=螺母 Nut SC=螺丝 Screw GA=垫片 Gasket | | | | | | | | | | | |
| 编号 No.: | 01 | | | | | | | | | | | |
| 材质 Material: | B=黄铜 Brass P=磷铜 Phosphor Bronze S=不锈钢 Stainless Steel N=洋白铜 Nickel Silver Alloy R=紫铜 Red Copper C=镁铜 Copper Magnesium Alloy L=铝 Aluminium A=铍铜 Beryllium Bronze F=铁 Ferrum | | | | | | | | | | | |
| 处理工艺 Processing: | 01=无 None 02=镀镍 Nickel Plating 03=镀镍银 Silver-Nickel Plating 04=镀镍金 Gold-Nickel Plating 05=镀镍局部金 Half Gold-Nickel Plating 06=镀亮锡局部金 Half Gold-Tin Plating 07=镀雾锡 Matte Tin Plating 08=镀亮锡 Bright Tin Plating 09=镀镍雾锡 Matte Tin-Nickel Plating 10=镀铅锡 Tin-Lead Plating 11=镀铜锡 Tin-Cu Grinding 12=化学研磨 Chemical Grinding 13=热处理 Heat Treatment | | | | | | | | | | | |
| 送料方式 Feeding Way: | P=散件 Parts T=料带 Tape | | | | | | | | | | | |

| 塑料件 Plastic parts | | |
|------------------------------------|---------------------------|--------------|
| 名称 Name | 部件型号 Part Model | 备注 Notes |
| 插座左壳 Left female plug housing | KLNE1-S-5.00-L_HO-1-GY-V0 | PA66 UL94-V0 |
| 插座中壳 Middle female plug housing | KLNE1-S-5.00-M_HO-1-GY-V0 | PA66 UL94-V0 |
| 插座右壳 Right female plug housing | KLNE1-S-5.00-R_HO-1-GY-V0 | PA66 UL94-V0 |

| 金属件 Metal parts | | |
|---------------------------|--------------------|--------------------------------|
| 名称 Name | 部件型号 Part Model | 备注 Notes |
| 直针 Straight pin header | KLN-CM-6-R-7-P | T2 - Matte Tin Plating (4-8um) |
| 弯针 Curved pin header | KLN-CM-7-R-7-P | T2 - Matte Tin Plating (4-8um) |

4. 相关标准 Related Standards

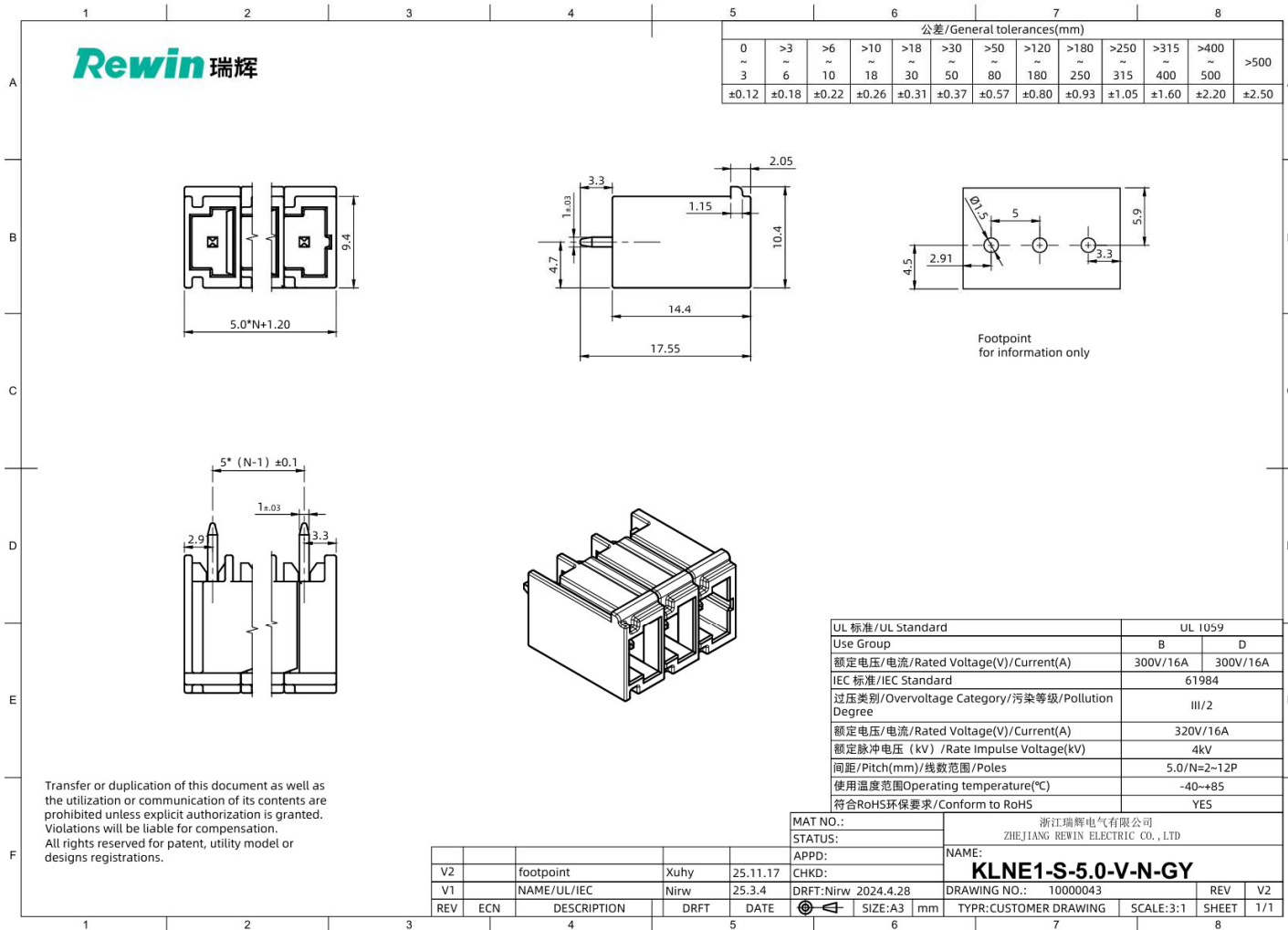
以下参考文件是本规格书的一个组成部份。若本规格书中的要求与产品图纸发生冲突，则产品图中的要求为优先；若本规格书中的要求与参考文件中的要求冲突，则本规格书为优先。

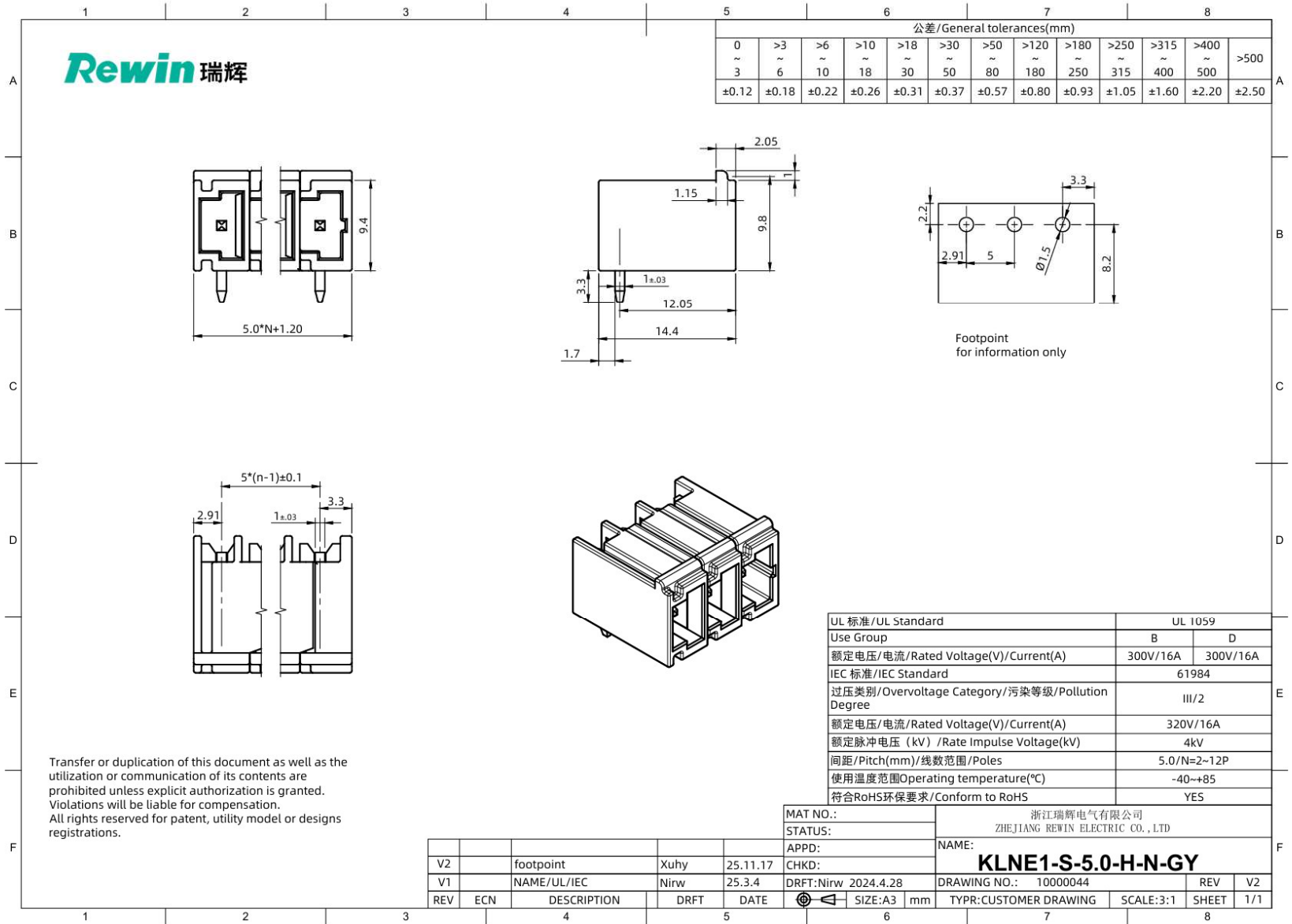
The following documents form a part of this specification. In the event of conflict between the requirements of this specification and the product drawing, the product drawing shall take precedence. In the event of conflict between the requirements of this specification and the referenced documents, this specification shall take precedence.

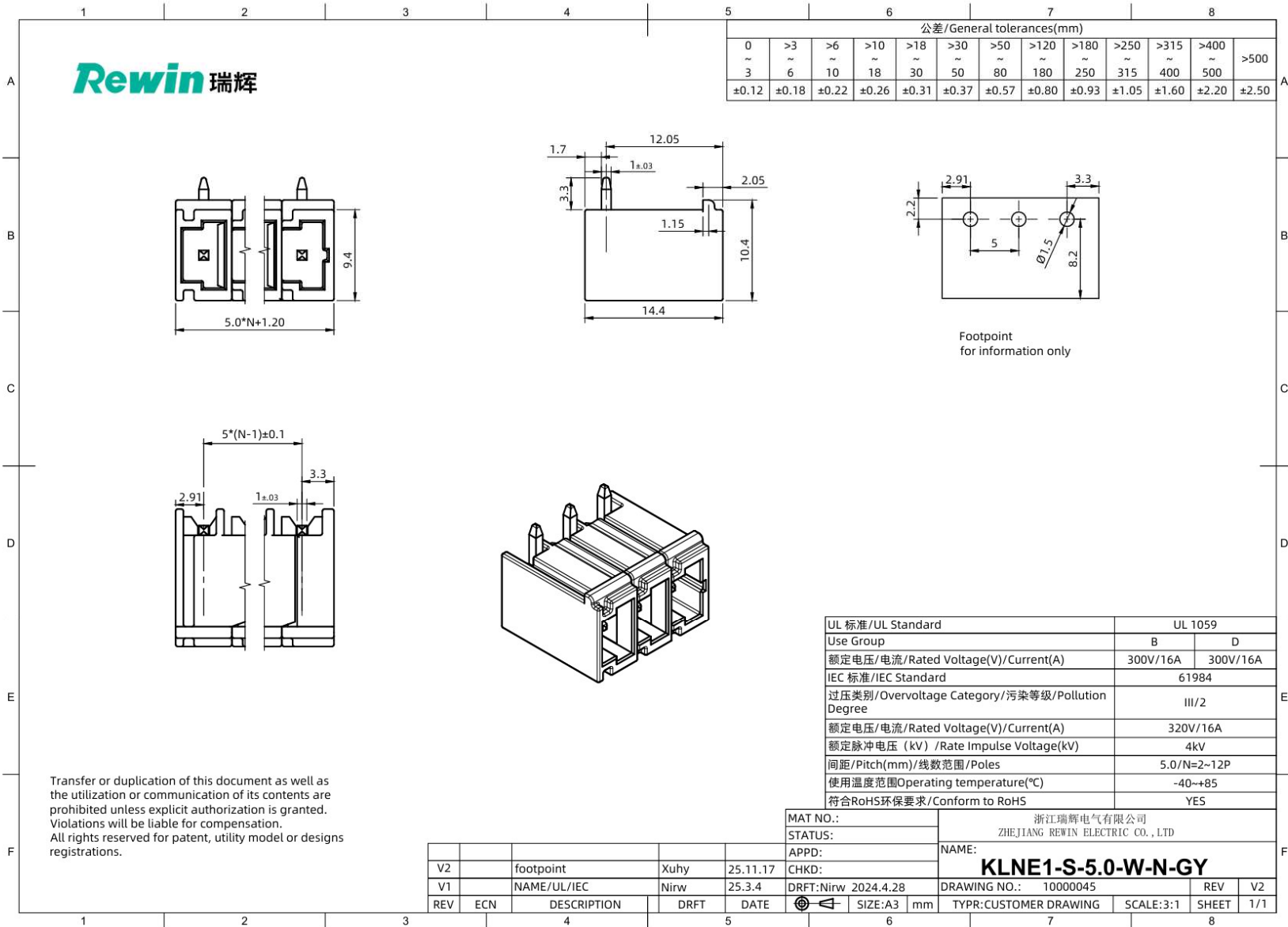
《UL 标准: UL1059》

《IEC 标准: IEC 61984》

5. 参数范围 Parameter Ratings:







| KLNE 插座参数 KLNE PCB Socket headers parameter ratings | | |
|--|---------------|----------|
| UL 标准 UL Standard | UL1059 | |
| Use Group | B | D |
| 额定电压 / 电流 Rated Voltage(V) / Current(A) | 300V/16A | 300V/16A |
| IEC 标准 IEC Standard | IEC 61984 | |
| 过压类别 / 污染等级 Overvoltage Category / Pollution Degree | III/2 | |
| 额定电压 / 电流 Rated Voltage(V) / Current(A) | 320V/16A | |
| 额定脉冲电压(kV) Rate Impulse Voltage(kV) | 4kV | |
| 间距 / 线数范围 Pitch(mm) / Poles | 5.00/N, 2~12P | |
| 使用温度范围 Operating Temperature(°C) | -40~+85°C | |
| 符合 RoHS 环保要求 Conform to RoHS | YES | |

6. 产品性能测试 Performance test

| 序号 No. | 项目 Item | 测试条件 Test Condition | 规格 Requirement |
|-----------|--------------------------|---|--|
| 6.1.1 | 外观 Appearance | 目测 Visual inspection 视力: 1.0 以上 Visual acuity: 1.0 or above 照明: (200 ~ 300) lx Lighting: (200-300) lx 目测距离: (0.3 ~ 0.5) m Visual inspection distance: (0.3-0.5) m | 1. 塑料件表面应无明显疤痕、凹陷、开裂及影响使用的变形。 The surface of the plastic parts should be free from obvious scars, dents, cracks, and deformations that affect usability. 2. 金属件表面无锈蚀、氧化、无明显的机械损伤及电镀层脱落等缺陷。 The surface of the metal parts should be free from rust, oxidation, obvious mechanical damage, and defects such as peeling of the plating layer. |
| 6.1.2 | 跌落试验 Drop Test | 将产品从 2 米的高度自由下落, 重复 5 次。 The product shall be dropped freely from a height of 2 meters. This test shall be repeated 5 times. | 产品结构正常, 功能良好。 The product shall retain normal structure and proper functionality. |
| 6.1.3 | 间距检验 Pitch Inspection | 视觉检测仪测量产品间距。 The product pitch shall be measured using a vision measuring system. | 尺寸在要求范围内, 间距: 5.0 ± 0.10 mm。 Dimensions shall be within specified limits. Pitch: 5.0 ± 0.10 mm. |

6.2 电气性能测试 Electrical test

| 序号 No. | 项目 Item | 测试条件 Test Condition | 规格 Requirement |
|-----------|----------------------------|---|--|
| 6.2.3 | 绝缘电压 Insulation voltage | <p>额定绝缘电压 1800V , 试验电压 1800V, 频率 50Hz, 1min。 Testing parameters: Rated insulation voltage: 1800V; testing voltage: 1800V; frequency: 50 Hz; duration: 1 minute. 试验期间, 不得出现闪络或击穿。 a.所有连接在一起的夹紧件与无固定装置的连接器件 的单体或所有连接在一起的夹紧件与有固定装置的连 接器件的安装底座上的夹紧件之间; During the test, there should be no occurrence of flashover or breakdown between the clamping parts of all connected components without fixing devices, such as the body of connectors, and between the clamping parts on the mounting base of connectors with fixing devices.</p> | <p>无击穿、闪络和飞弧现象 No breakdown, flashover, or arcing should be observed during the test.</p> |
| 6.2.4 | 温升 Temperature rise | <p>额定电流(Rated current): 16A; 线径(wire diameter): 2.5mm² 试验力矩(Testing torque): ——N·m</p> | <p>1h 或热稳定后, 温升 ≤45K Temperature rise shall be ≤45K after 1h or after thermal stability is achieved.</p> |
| 6.3.5 | 盐雾 Salt spray test | <p>把试验样品从试验箱顶悬挂下来, 采用浓度为(5±1)%(质量 百分比)的氯化钠溶液, 在(35±2)°C温度下连续雾化 48h,试 验后用流动的蒸馏水轻轻洗去表面沉积物。在常温常湿条件 下恢复 1~2h。 Suspend the test sample by hanging it from the top of the test chamber. Apply a sodium chloride (NaCl) solution with a concentration of (5±1)% (by mass percentage). Maintain continuous spray for 48 hours at a temperature of (35±2)°C. After the test, gently rinse off the surface deposits using flowing distilled water. Allow 1-2 hours of recovery of the sample under normal temperature and humidity conditions.</p> | <p>外观: 无损伤(五金件应无 露出底金属的严重锈蚀;使 用预镀好的型材, 其落料 面允许有不影响其性能的 轻微腐蚀。) Appearance: No damage should be observed (Metal parts should not have severe exposed metal corrosion; pre-plated profiles may have slight corrosion on cut surfaces that does not affect their performance).</p> |

7. 产品标识及包装规范 Identification and packaging

| | | | | |
|---|---|-------------------------------|---------------------------------|--|
|  | 产品标识及包装规范 Identification and Packaging | | 交付客户 Delivery to customer | |
| | | | 客户编码 Customer Code | |
| | | | 包装图号 Package Drawing No. | |
| | | | 版本 Version | V1.0 |
| 系列 SERIES | KLNE 系列接线端子 KLNE series wiring terminals | 型 号 MODEL | KLNE | |
| 产品 标识 Identificati on | 产品标识 & 打标位置 Identification and marking position | 印刷工艺 Printing technique | 激光打标 Laser marking | 备注 Remarks: 紫外激光器 Ultraviolet laser emitter |
| | | | | |

产品规格书

| | | | | | |
|--|-----------------------------------|----------------------------------|-------|--|-------|
| | 独立包装袋 Individual packaging bag | 产品包装材质 Packaging material | | 产品包装尺寸 (长*宽/mm) Packaging dimensions (L*W/mm) | |
| | | 标签尺寸 mm Label dimensions (mm) | 无 N/A | 数量/包 pcs/box | |
| | | 标签材质 pcs/box | 无 N/A | 中文字体 Chinese font | 无 N/A |
| | | | | | |

产品规格书

| | | | | | |
|---|------------------------------------|------------------------------------|--|---|--|
| 内包装盒 & 包装规范 Inner box/Packa ging specs | 内包装标签 Inner packing label | 内包装材质 Inner packing material | | 内包装尺寸 (长*宽*高/mm) Packaging dimensions (L*W/mm) | |
| | | 标签尺寸 mm Label dimensions | | 数量/盒 pcs/pack | |
| | | 标签材质 Label material | | 中文字体 Chinese font | |
| | | | | | |
| 内包装盒 & 标签位置 Inner box/label position | | | | | |

产品规格书

| | | | | | | | | |
|---|--|-------------------------------------|---|---|--------------------------|----------------------|-------------|--|
| 外箱 & 包装规范 Outer carton/packaging specs | 外箱标签 Outer carton label | 外箱材质 Outer carton material | <input checked="" type="checkbox"/> BC 五层板 (中性包装无印刷) <input checked="" type="checkbox"/> BC five-layer board (neutral packaging without printings) | | | | | |
| | | 包装箱 Packing carton | 外尺 (长*宽*高) /mm Outer dimensions (L*W*H/mm) | | 装箱数量 Packing quantity | | | |
| | | 标签材质 Label material | <input checked="" type="checkbox"/> 机打标签 (不干胶) <input type="checkbox"/> 印刷标签 <input checked="" type="checkbox"/> Computer-printed labels (self-adhesive sticker) <input type="checkbox"/> Printed labels | | 标签尺寸 mm dimensions | | | |
| | | 其它 Others | 包装打包带 Packing tape | <input type="checkbox"/> 井字 Cross-pattern strapping tapes <input type="checkbox"/> Parallel tapes <input checked="" type="checkbox"/> 无需求 No special requirements | | | | |
| | | | 封口胶带 Sealing tape | <input checked="" type="checkbox"/> 透明无字 Transparent, without words | | | | |
| | | 标签印刷工艺 Label printing techniques | 印刷标签 Printing labels | 中文字体 Chinese font | 黑体 Black | 英文字体 English font | 黑体 Black | |
| | 外箱 & 外箱标签位置 Outer carton/ Carton label position | | | | | | | |

产品规格书

Rewin 瑞辉

Product specification

www.rewin.cn

| | | | |
|---|---------------------|--------------------------------|---------------------|
| 技术负责人 Technical head | | 审核 Reviewed by | 批准 Approved by |
| 客户(简称)确认 Customer (in short name) confirmation | | 内部签审 Internal signed review | |
| 确认者 Confirmed by | | 批准 Approved by | 年 月 日 YYYY MM DD |
| 部 门 Dept. | | 销售代表 Sales representative | 年 月 日 YYYY MM DD |
| 日 期 Date | 年 月 日 YYYY MM DD | 制 定 Prepared by | 年 月 日 YYYY MM DD |
| <p>特别注明： 整份文件提交客户确认，客户在末页签字确认。若客户未会签可由销售代表代签，但必须提供相关佐证资料（如包装交付客户检验的合格记录等）。</p> <p>Special notes: The entire document is to be submitted for customer confirmation, and the customer may choose to sign and confirm on the last page. In case the customer is unable to give the signature, the sales representative may sign on their behalf, but relevant supporting documents (such as records of qualified inspection upon delivery to the customer) must be provided as evidence.</p> | | | |